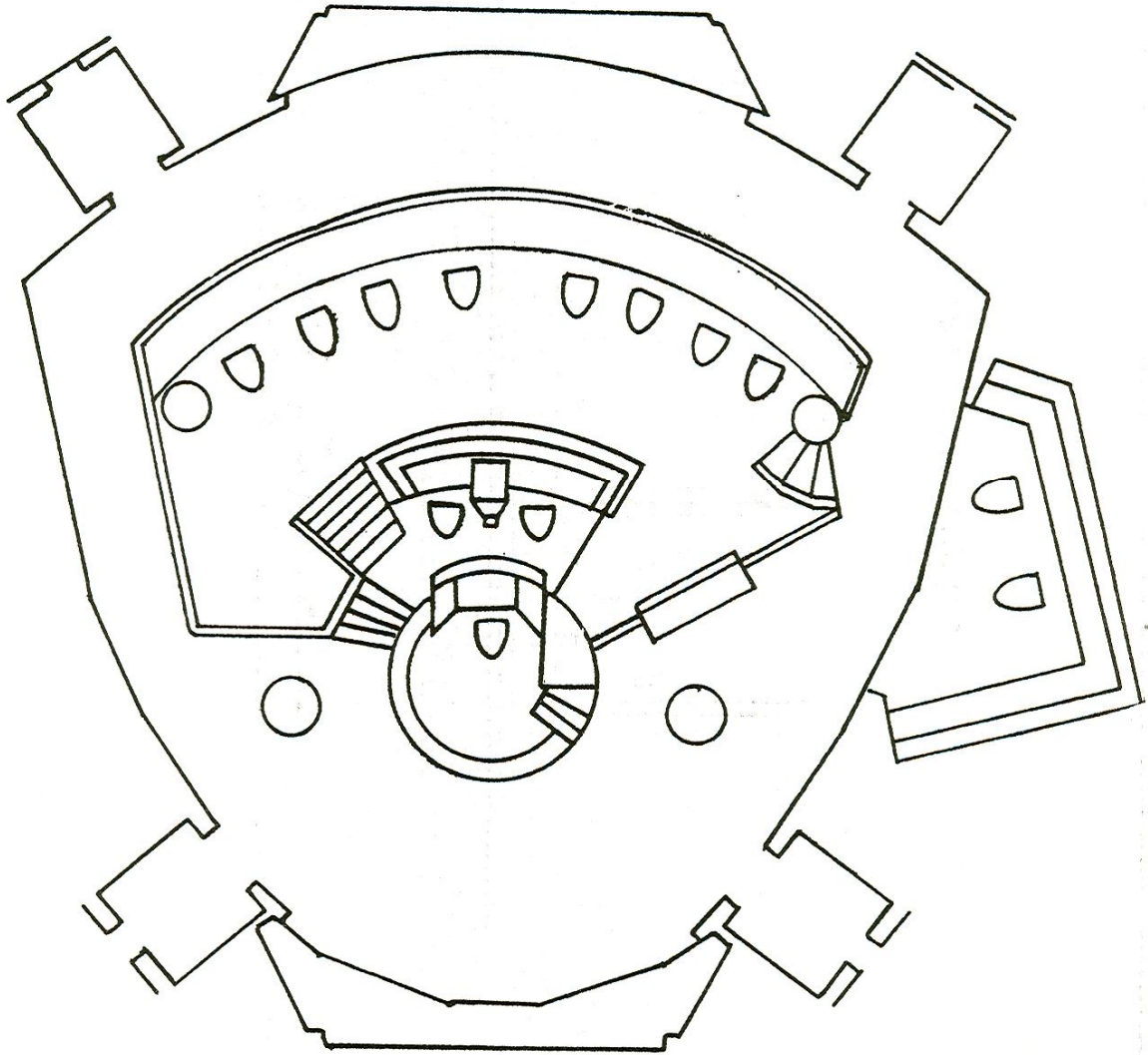
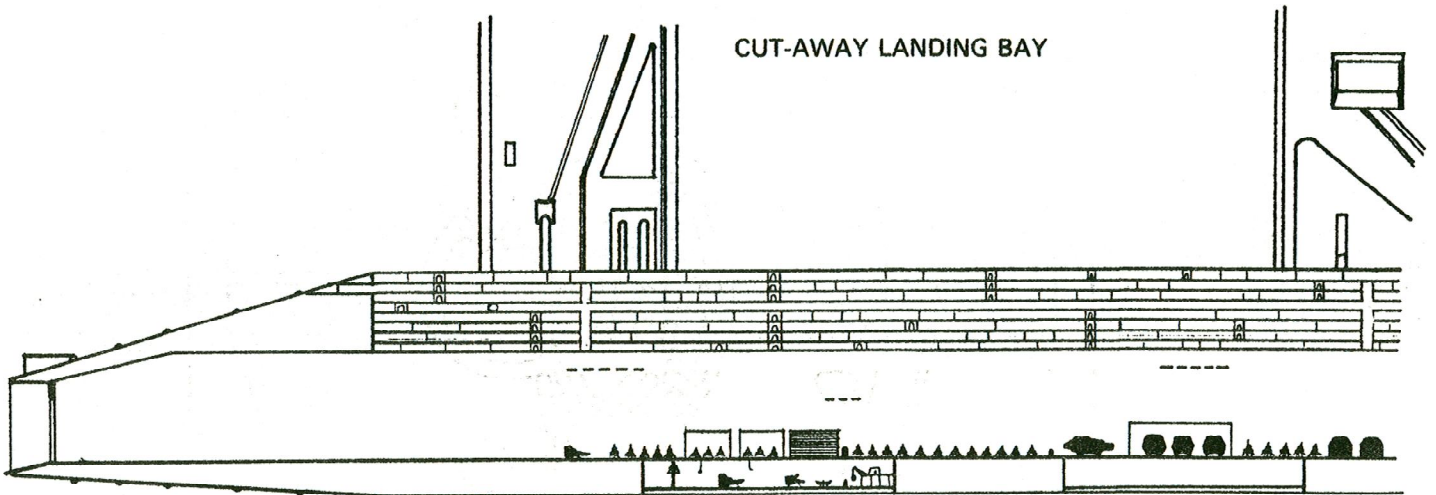


BRIDGE



CUT-AWAY LANDING BAY



# COLONIAL WARRIORS TECHNICAL MANUAL

